

**SPECIFICATIONS**

CHASSIS: FORD F-560 4X4 4 DR  
 ENGINE: 6.4L POWERSTROKE DIESEL 325 HP  
 TRANSMISSION: 4-SPD AUTO ELEC.  
 FRONT AXLE: 7,000 LBS.  
 REAR AXLE: 13,600 LBS.  
 RESCUE BODY: 123" LD WALK AROUND ALUMINUM

**COMPARTMENT SIZE**

A/D: 63"H X 31 1/2"W X 24"D / TRANSVERSE  
 B/E: 35"H X 51 1/2"W X TRANSVERSE  
 C/F: 63"H X 39 3/4"W X 24"D  
 G: 55"H X 44"W X 40"D

**DOOR OPENING**

A/D: 59"H X 28"W  
 B/E: 31"H X 47"W  
 C/F: 59"H X 36"W  
 G: 47"H X 44"W

**PLEASE REVIEW AND RETURN  
 A SIGNED COPY.**

NAME: \_\_\_\_\_

TITLE: \_\_\_\_\_

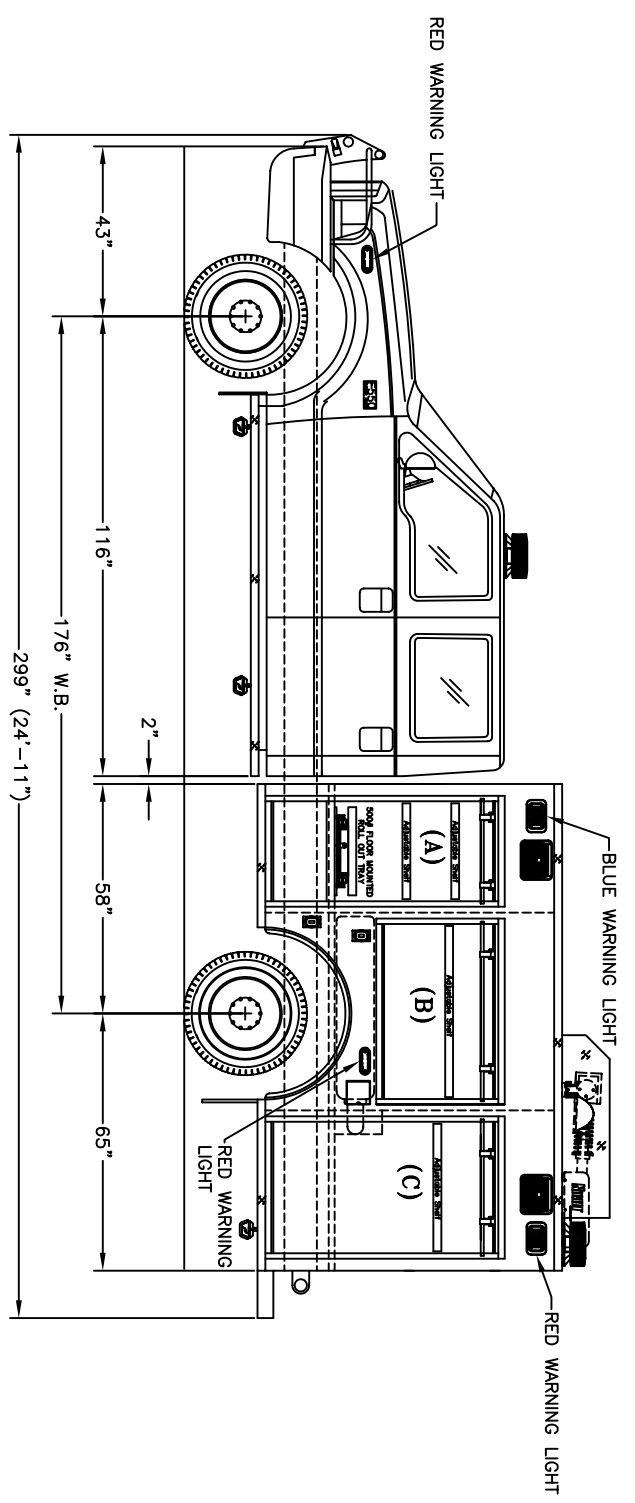
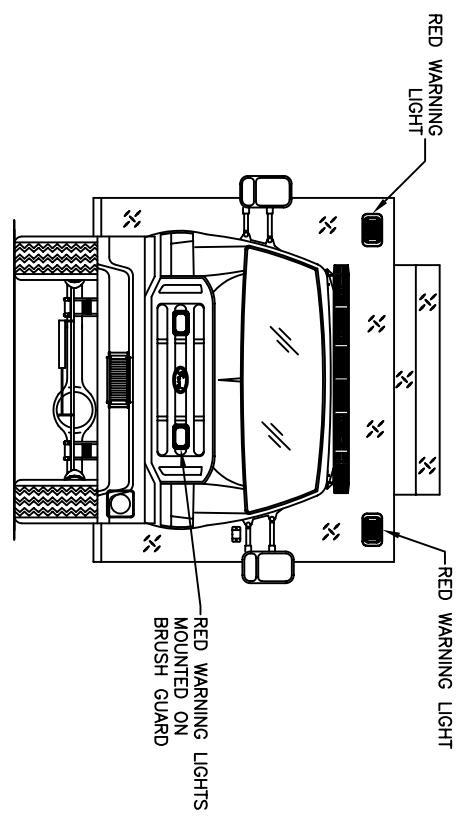
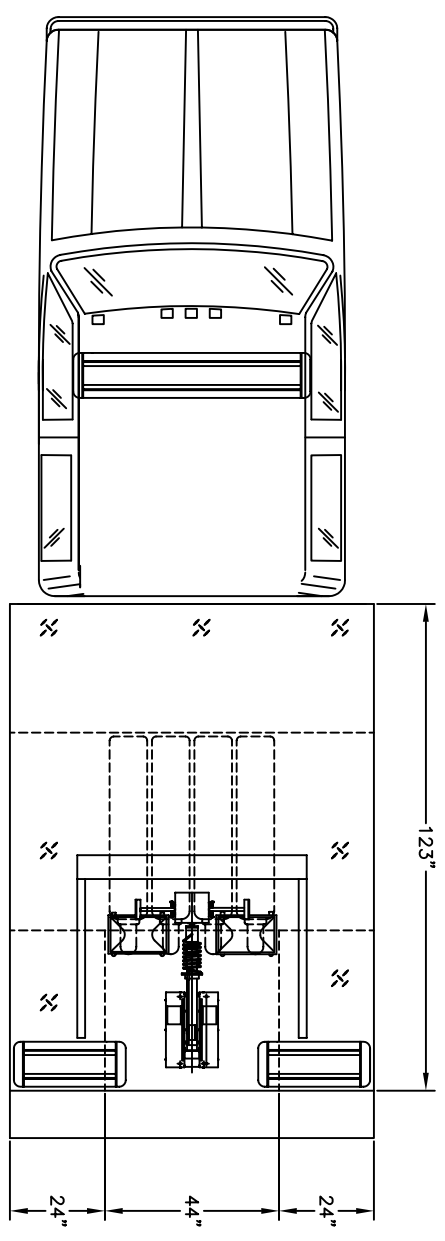
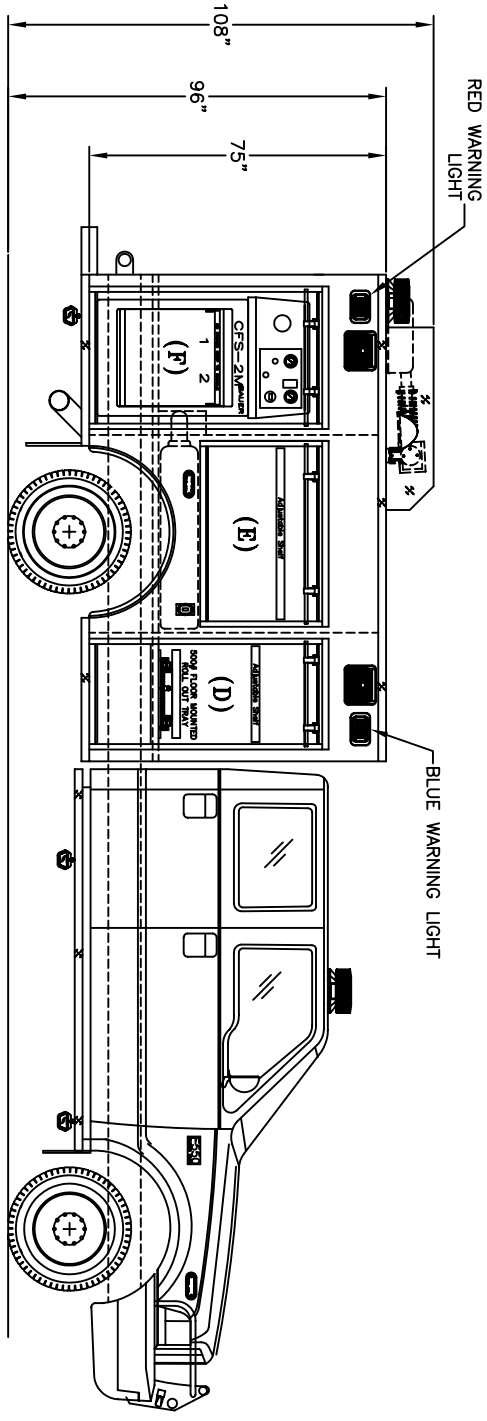
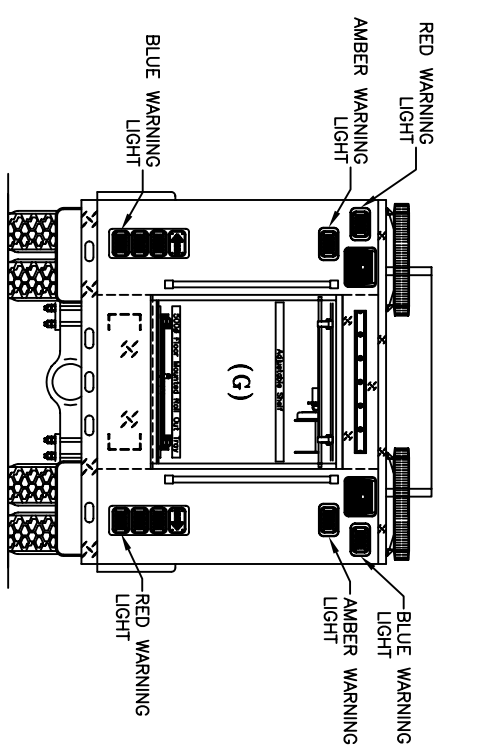
DATE: \_\_\_\_\_

**CUSTOMER PAINT CODES:**

LOWER CAB AND BODY: **RED #71528**

CAB TWO TONE (IF APPLICABLE): **BLACK #9000**

THIS DRAWING IS A GENERAL CONFIGURATION AND MAY NOT  
 NECESSARILY REFLECT ALL CONTRACTUAL REQUIREMENTS



SYM	DATE	REVISION DESCRIPTION	APP'D
A	18APR07	REVISED PER PRE-CONSTRUCTION	JBB

**KOVATCH MOBILE EQUIPMENT**  
 ONE INDUSTRIAL COMPLEX  
 NESQUEHONING, PA 18240

TOLERANCE UNLESS OTHERWISE SPECIFIED  
 DECIMALS ± .060 THREE PLACE ± .010 ROUND ALL DIMS  
 ONE PLACE ± .030 ANGLES ± 2° AND SHARP EDGES  
 TWO PLACE ± .030

DATE 3-1-07 SCALE NONE DRAWN BY JJM APPROVED BY JBB

**CAD**

**KME COMMERCIAL 4X4**  
 PRINCETON, NJ

GSO#6916

DO NOT CHANGE MANUALLY