

SPECIFICATIONS

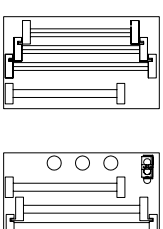
CHASSIS: PERFORMA LB 4" / 5" RAISED ROOF W/ 9" NOTCH
 ENGINE: PERFORMA 151 425 HP W/ 4800RPM
 TRANSMISSION: ALLISON 3000DS 5-SPEED AUTOMATIC
 FRONT AXLE: MERRILL MFS-20-13A-N 22,500
 REAR AXLE: DANA 530-190 #33,000
 PUMP: HALE Q-MAX-2000 GPM SINGLE STAGE
 TANK: 500 GALLON FIBERGLASS

COMPARTMENT SIZE

Location	Depth	Height	Width	Depth
(A)	60	48	30	27/14
(B)	60	48	30	27/14
(C)	60	48	30	27/14
(D)	60	48	30	27/14
(E)	60	48	30	27/14
(F)	60	48	30	27/14
(G)	60	48	30	27/14
(H)	60	48	30	27/14
(I)	60	48	30	27/14
(J)	60	48	30	27/14
(K)	60	48	30	27/14
(L)	60	48	30	27/14
(M)	60	48	30	27/14
(N)	60	48	30	27/14
(O)	60	48	30	27/14
(P)	60	48	30	27/14
(Q)	60	48	30	27/14
(R)	60	48	30	27/14
(S)	60	48	30	27/14
(T)	60	48	30	27/14
(U)	60	48	30	27/14
(V)	60	48	30	27/14
(W)	60	48	30	27/14
(X)	60	48	30	27/14
(Y)	60	48	30	27/14
(Z)	60	48	30	27/14

LADDERS

- 1-DUO-SAFETY 35' 3 SECTION: 1225-A35
- 1-DUO-SAFETY 24' 2 SECTION: 1200-A24
- 1-DUO-SAFETY 16' ROOF WHOOKS: 875-A16
- 1-DUO-SAFETY 16' ROOF WHOOKS: 875-A16
- 1-DUO-SAFETY 14' ROOF WHOOKS: 875-A14 (MOUNTED ON OFFICERS SIDE OF BASE SECTION)
- 1-DUO-SAFETY 10' FOLDING: 585-A10

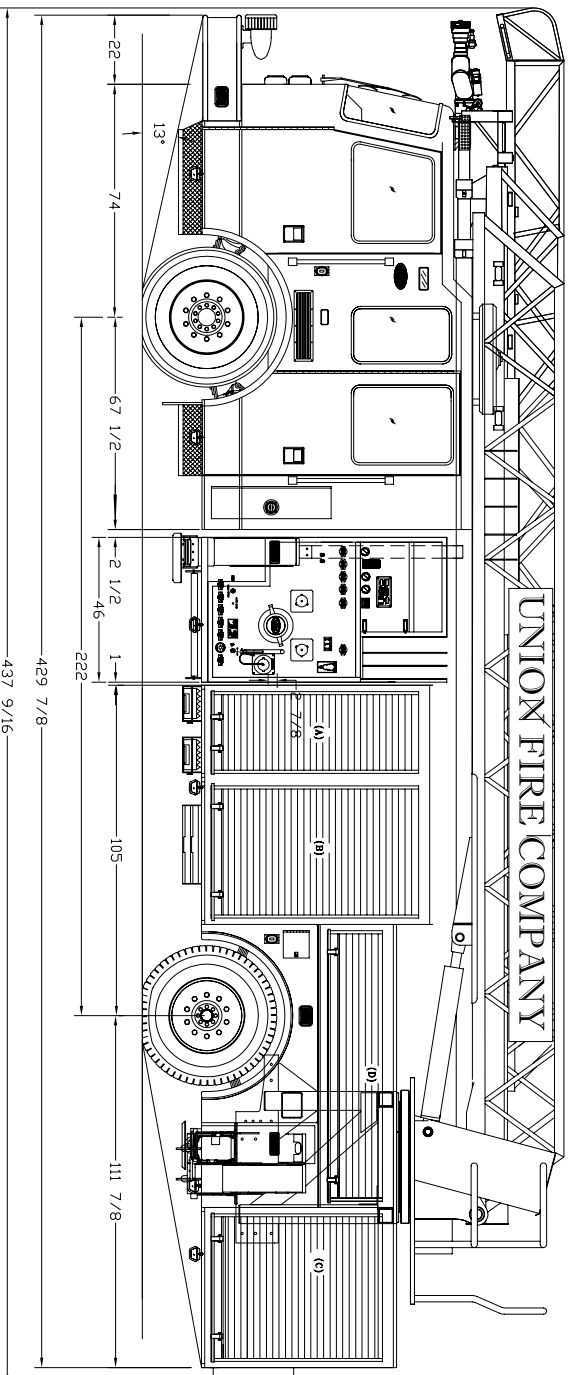
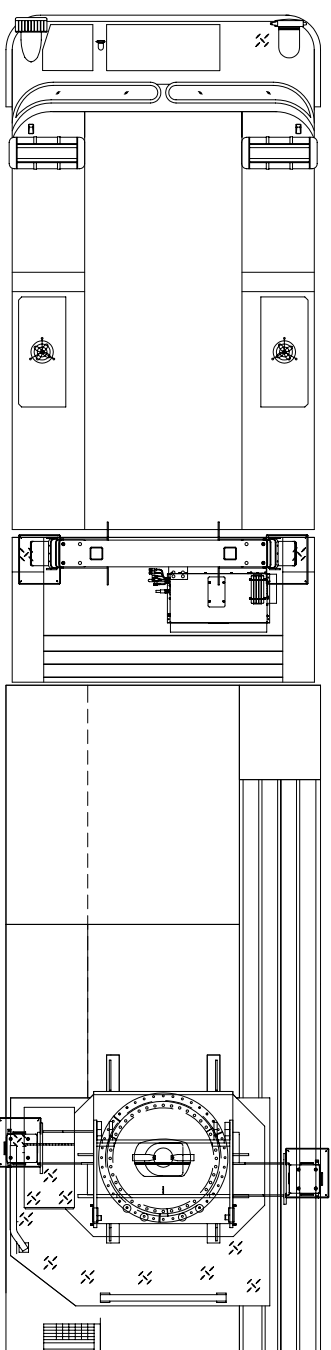
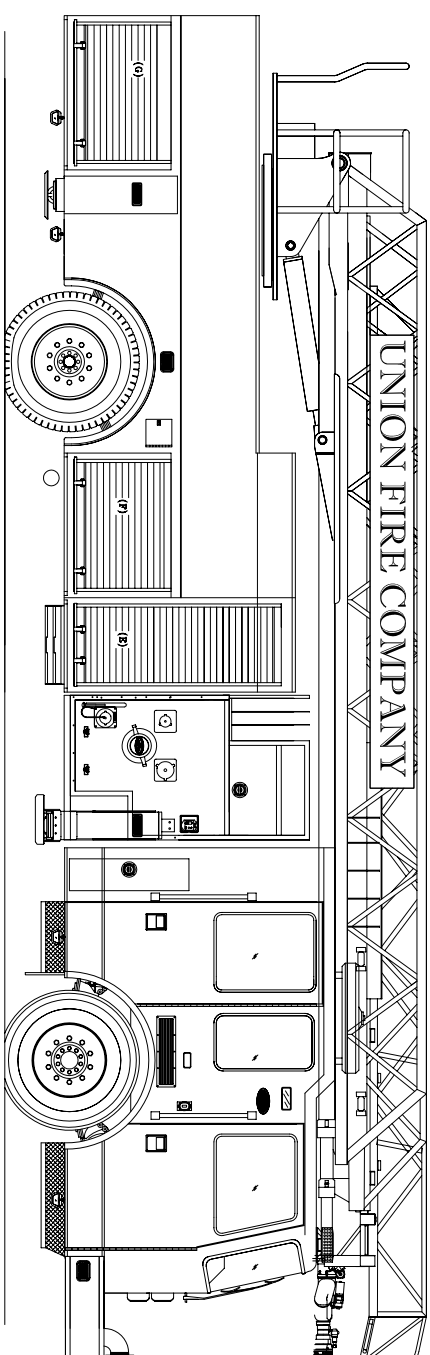
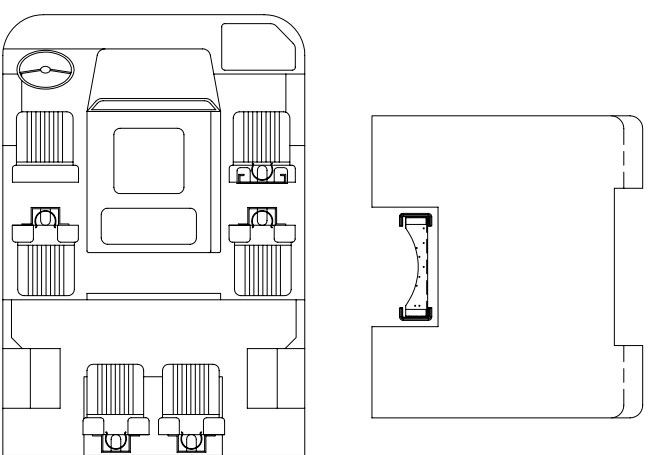
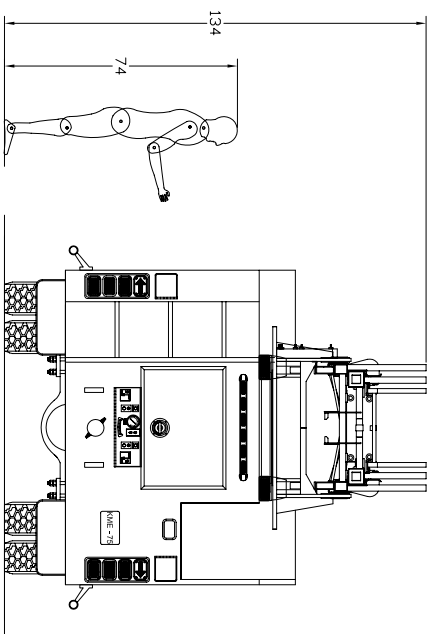


DISCHARGES

- 2 - 2 1/2" LEFT SIDE
- 1 - 2 1/2" RIGHT SIDE
- 1 - 4" AERIAL
- 2 - 1 3/4" CROSSSLAY
- 1 - 2 1/2" CROSSSLAY
- 1 - 1 1/2" FRONT

NOTES

ONAN 10K PTO GENERATOR
 2" STAND PIPE DISCHARGE AT LADDER TIP
 WIRELESS AERIAL MONITOR
 AERIAL CONTROLS AT PUMP PANEL
 SAW BOX AT TURNABLE



CUSTOMER PAINT CODES:

LOWER CAB AND BODY: TO BE DETERMINED
 CAB TWO TONE: TO BE DETERMINED
 LADDER: TO BE DETERMINED
 COMPT. INTERIORS: TO BE DETERMINED

SYM REVISION DESCRIPTION APP'D

SALES ENGINEER : XXX

KME FIRE APPARATUS

ONE INDUSTRIAL COMPLEX

NESQUEHONING, PA 18240



CAD

DATE SCALE DRAWN BY MB

08/12/08 NONE APPROVED BY PEH

75' AERIAL CAT LADDER #500 TIP LOAD

CHESTERFIELD - HAMILTON TWP., NJ

GSO #7473

DO NOT CHANGE MANUALLY